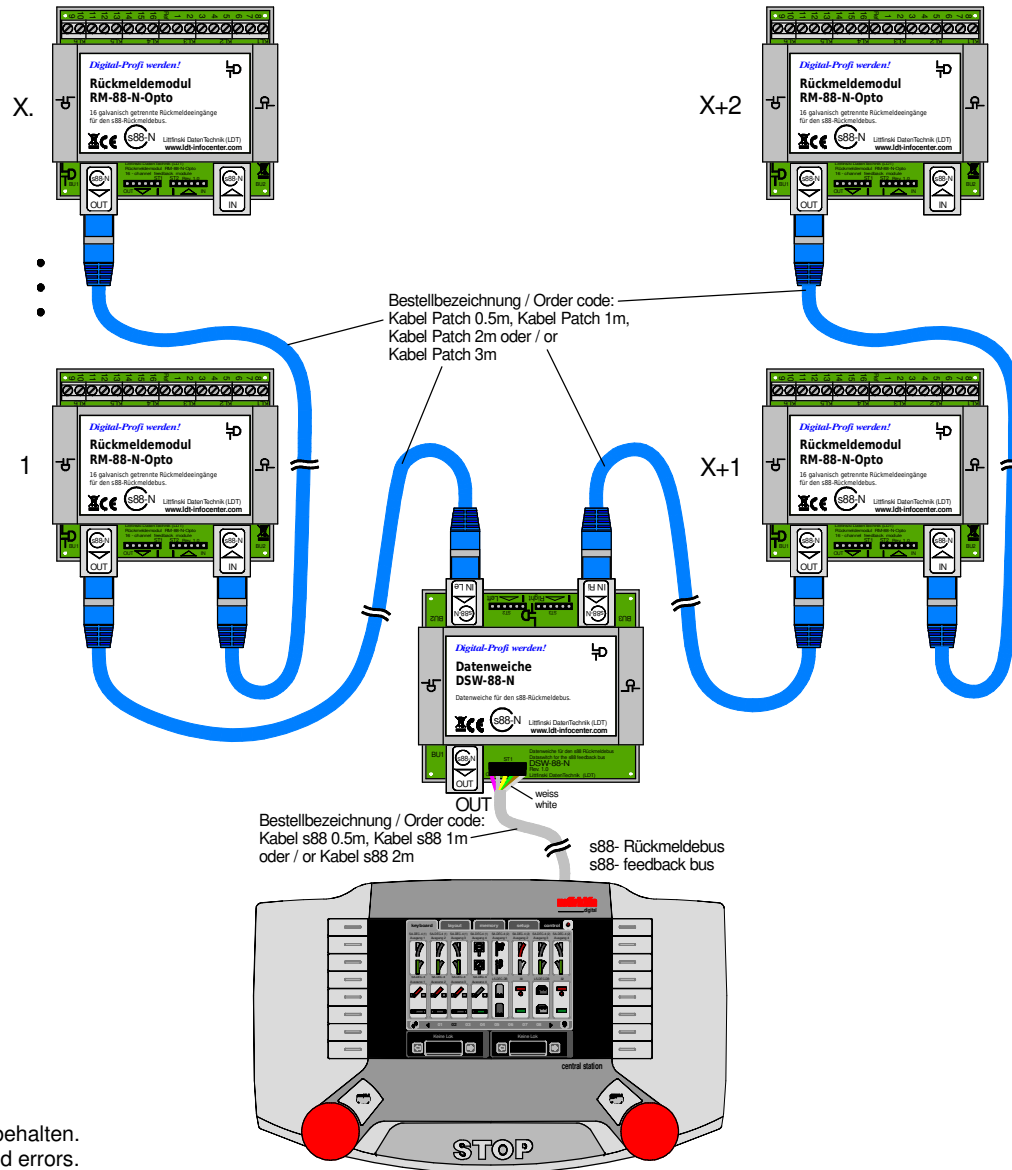


# Datenweiche DSW-88-N an Central Station 2 (RM-88-N-O)

## Data switch DSW-88-N on Central Station 2 (RM-88-N-O)



Technische Änderungen und Irrtum vorbehalten.  
 Subject to technical changes and errors.  
 © 11/2020 by LDT

