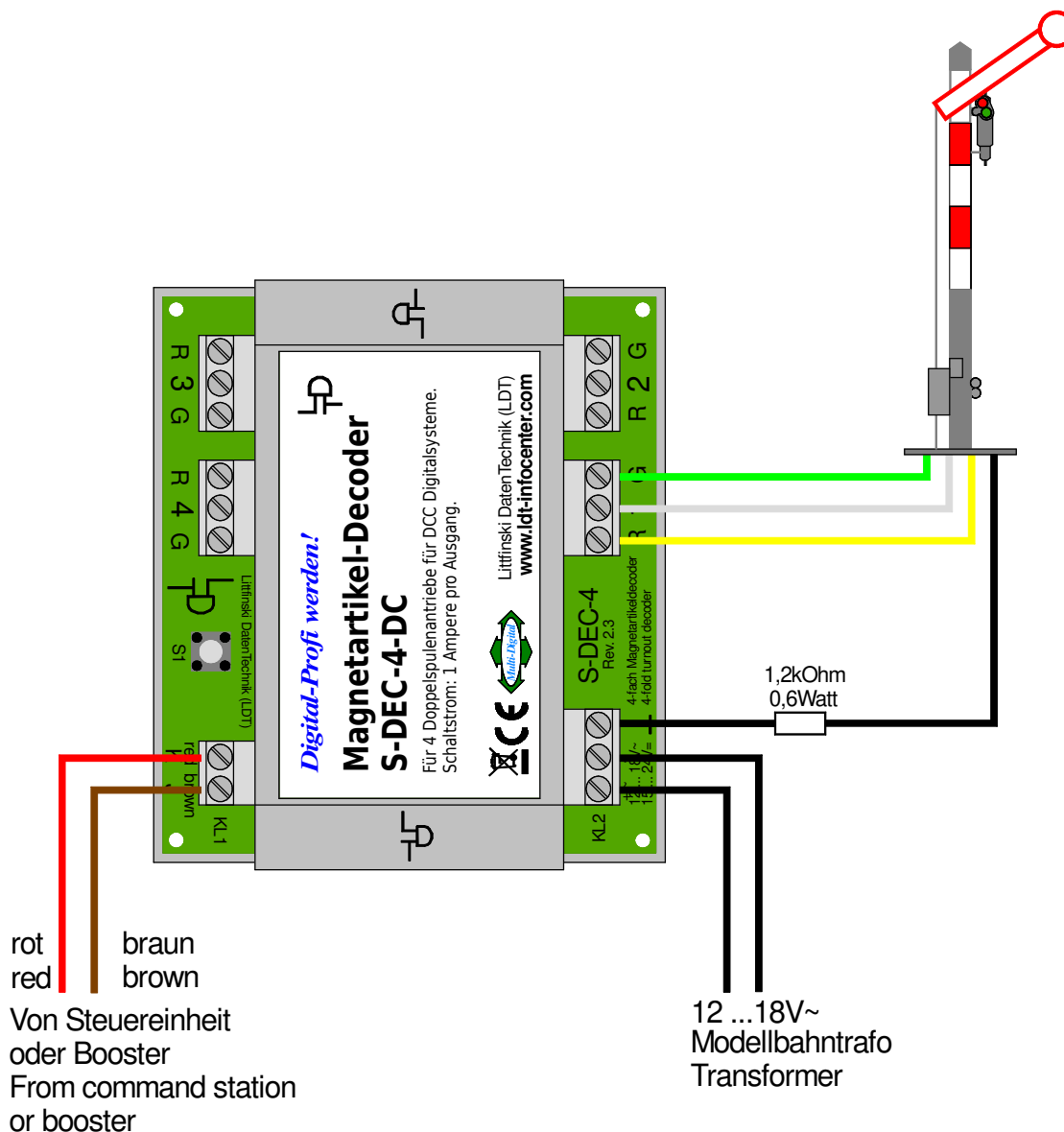


Sample-Connection: Digital switching of Minitrix semaphore signals



Up to 4 Minitrix semaphore signals can be digital controlled with our Turnout Decoder S-DEC-4. The connection-wires colored green, white and yellow shall be connected to one of the four outputs of the decoder. The signal lamp shall be connected to the ground-clamp of the decoder by implementing a 1.2 kOhm resistor.
The train influence shall get the wiring in accordance to the signal instruction.

Made in Europe by
Littfinski DatenTechnik (LDT)
Bühler electronic GmbH
Ulmenstraße 43
15370 Fredersdorf / Germany
Phone: +49 (0) 33439 / 867-0
Internet: www.ldt-infocenter.com
Subject to technical changes and errors.
© 09/2019 by LDT