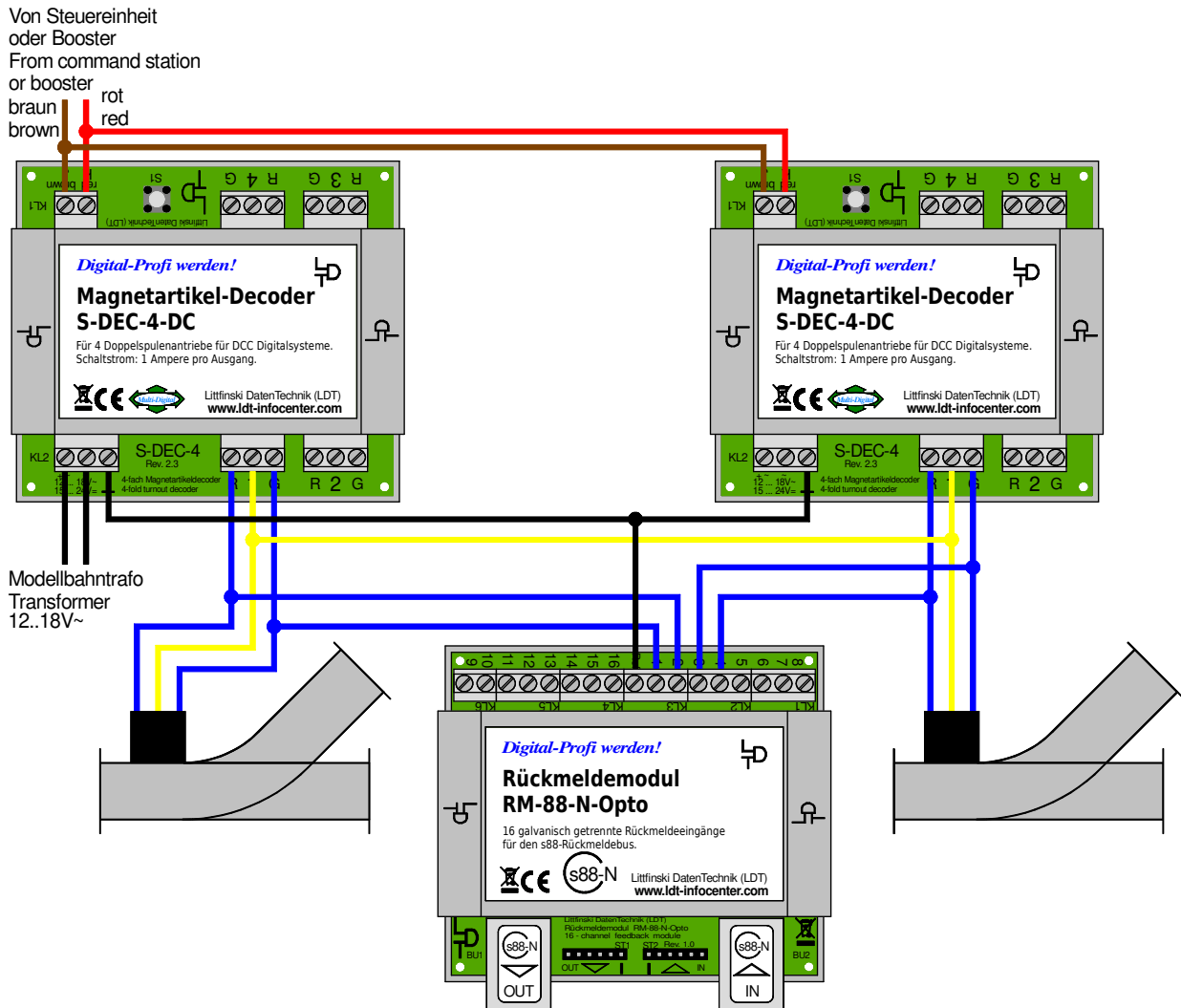


## Sample Connections:

### Turnout feedback via s88-Feedback bus



If you are intending to **feedback** the turnout position via the **s88-feedback bus** you can connect the modules in accordance to the above connection plan.

It is important that the turnouts are equipped with **end switches**.

For clarification there are only 2 turnouts connected at the above outline. It is possible to switch a total of 8 turnouts with the shown 2 turnout-decoder (**S-DEC-4-MM** or **S-DEC-4-DC**) and the feedback can be controlled by one feedback module **RM-88-N-Opto**.

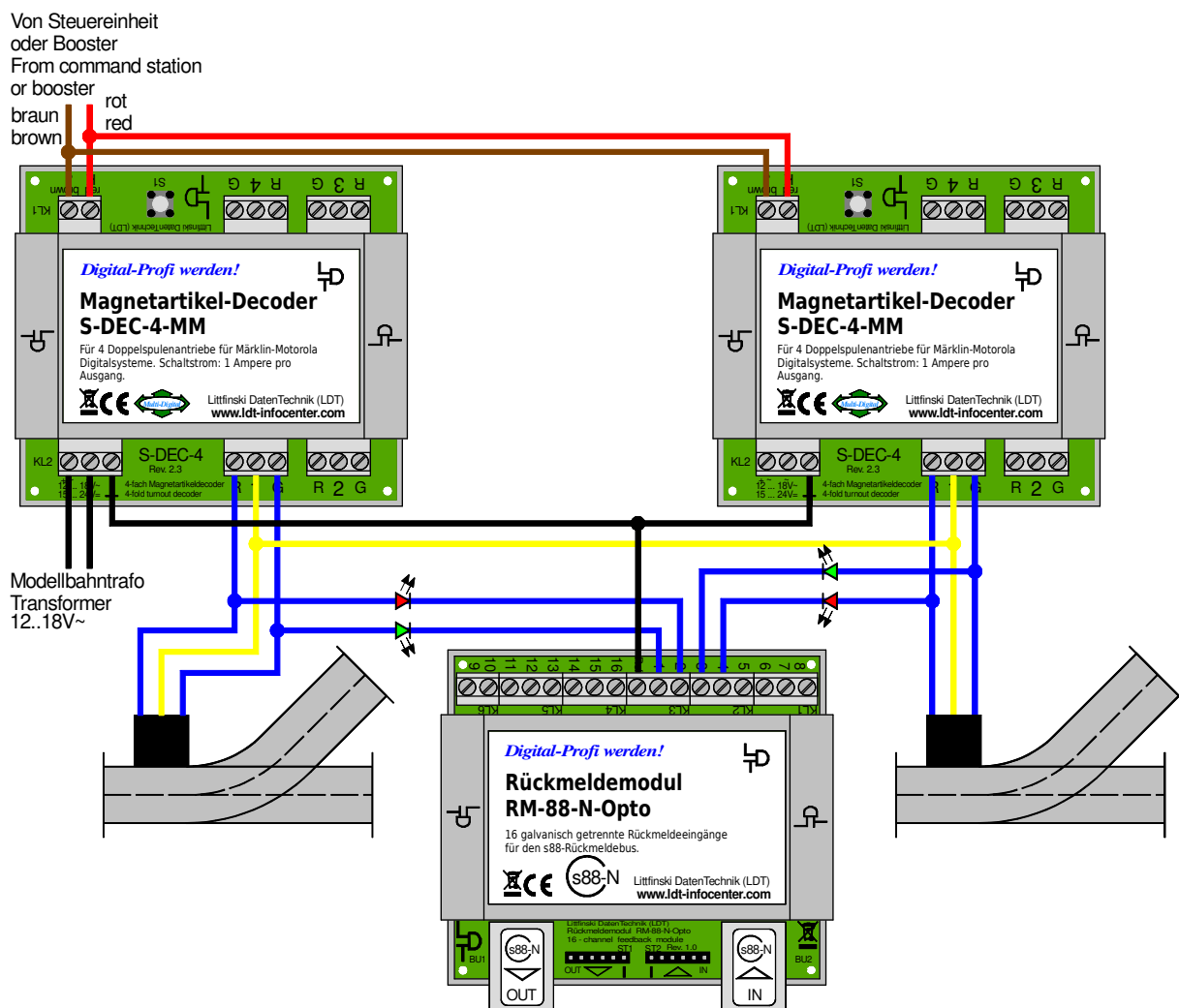


# Littfinski DatenTechnik (LDT)

Bühler electronic GmbH • Ulmenstraße 43 • 15370 Fredersdorf / Germany • Phone: +49 (0) 33439 / 867-0

Both decoders will be connected to the **digital circuit** via **KL1**. **Only one** turnout-decoder will be connected to the **external power supply** (as shown).

If the **turnout position** shall be **additionally** indicated on a **rail control panel** by use of **light emitting diodes** please connect the modules in accordance to the below connection plan.



Made in Europe by  
**Littfinski DatenTechnik (LDT)**  
Bühler electronic GmbH  
Ulmenstraße 43  
15370 Fredersdorf / Germany  
Phone: +49 (0) 33439 / 867-0  
Internet: [www.ldt-infocenter.com](http://www.ldt-infocenter.com)

Subject to technical changes and errors.  
© 09/2019 by LDT