

## *To be a Digital-Professional!*

### Digital driving and switching of dual-coil drives with the Lenz-Digital plus System

The main focus of this chapter shall cover the simple installation and use of the first Turnout Decoder “S-DEC-4-DC” for dual-coil drives for switching turnouts or semaphore signals.

The first step by the construction of a digital controlled model railway layout is the installation of the digital driving. For the realization of the digital driving has the digital-central unit (LVZ100) to be connected to the power supply and to the rails.

The second step is the installation of the digital switching. The first decoder can now be connected to the supply voltage and to the digital output of the central unit.

Many of the described cable colors are typical for digital model railway layouts. Naturally is it within your option to use cable colors to your requirement. Nevertheless you should assure right at the beginning: remain to the selected cable color system and make a careful documentation for possible future fault diagnosis, for extending the system or for modification of the system.

■ General Note

#### CONNECTING THE CENTRAL UNIT

The manual of company Lenz recommends a transformer of 14 to 19 Volt alternated voltage for the power supply to the central unit LZV100. The Central Unit LZV100 can supply a digital current of up to 5 Amperes for the various digital components (locomotives with decoder, turnout- and switch-decoder, etc.). The actual value is related to the alternated voltage of used transformer and the adjusted track voltage.

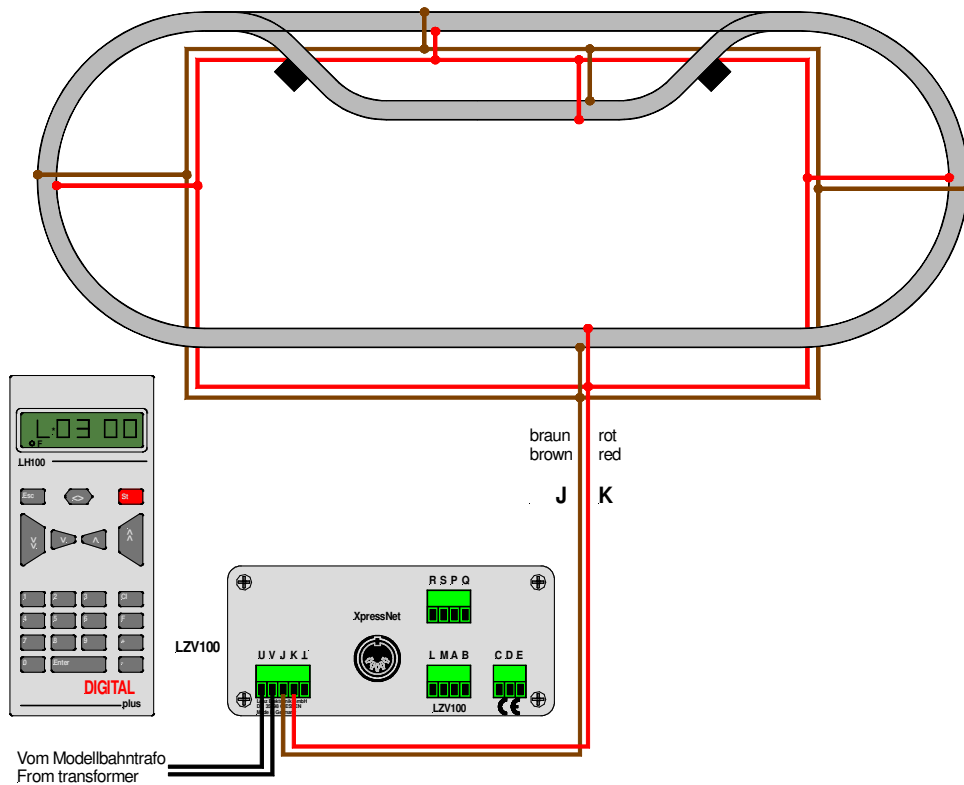
For the wires of the supply cables (**black / black**) and as well for the rail connections (**(K) red / (J) brown** =digital current) the following wire cross section sizes are recommended:

length of the cable	recommended cross section
up to 3 m	0.75 mm <sup>2</sup>
up to 6 m	1.5 mm <sup>2</sup>
up to 10 m	2.5 mm <sup>2</sup>
more as 10 m	4.0 mm <sup>2</sup>

For preventing power losses is it recommended to use a (first) mains ring conductor with connections to the rail system (**(K) red / (J) brown**) at distances of 1,5 to 2m. Each plugged rail connection will contain an electrical resistance. This resistance will be enlarged by corroded contacts etc. The resulting voltage drop at the rail connections reduces the digital voltage and it can be possible that “remote” track sections will eventually

not get the full digital current – disturbances or inexplicable abnormal behavior can be expected. A sufficient diameter of the supply-wire contains a considerable lower resistance and assures therefore the full supply of the voltage to the rails.

The below picture sample shows the general connection of a central unit and the additional power supply connections at your model railway layout:

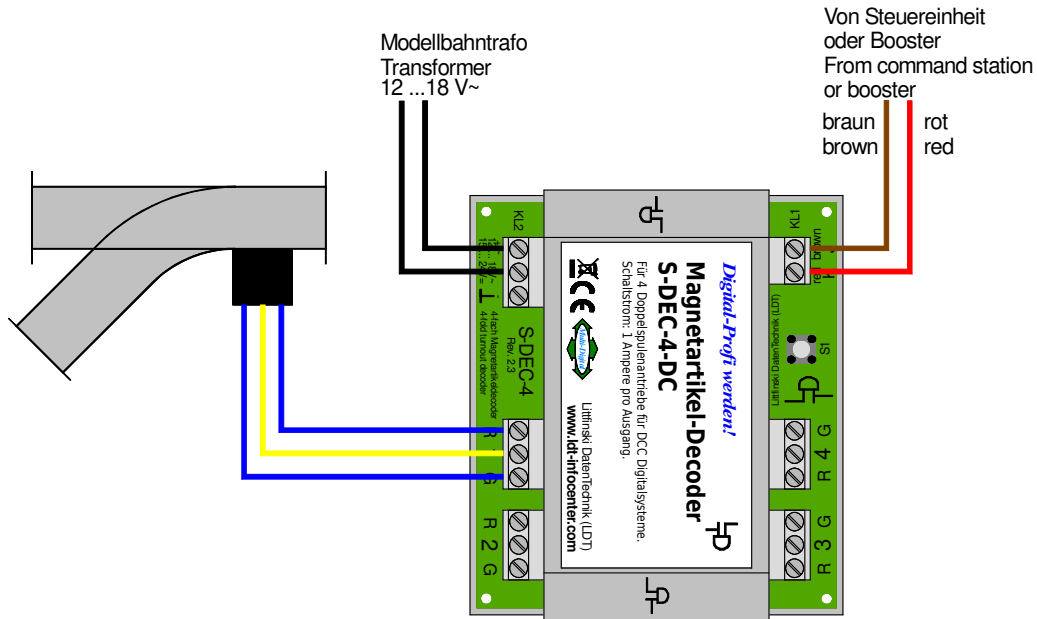


■ Connection of the LVZ100 (page\_258)

### THE FIRST TURNOUT-DECODERS (*S-DEC-4-DC*)

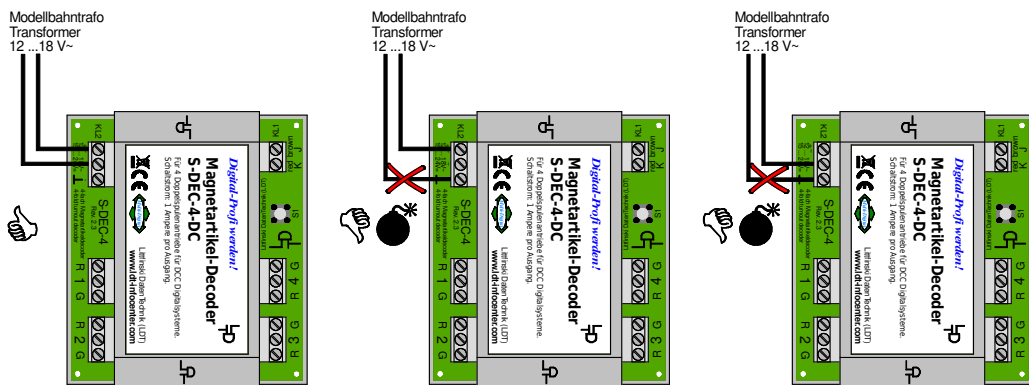
Now to the second step for the digital switching at your digital model railway layout. Also the Turnout-Decoders requires a connection to the power supply (12 – 18 V ~) and to the digital voltage. All digital commands as well as to the loc-decoders will be transmitted on this way.

The Central Unit LVZ100 transmits data with the DCC-format to the locomotives– and turnout decoders. For controlling of dual coil drives is therefore the application of a 4-fold turnout decoder “*S-DEC-4-DC*” suitable.



Power supply (black cables at the above sample) will be required for the module itself and the switching of the coil drives. The decoder module requires a spacing current flow of about 0.1 Ampere. Each output can cover a maximum switching current load of up to 1 Ampere.

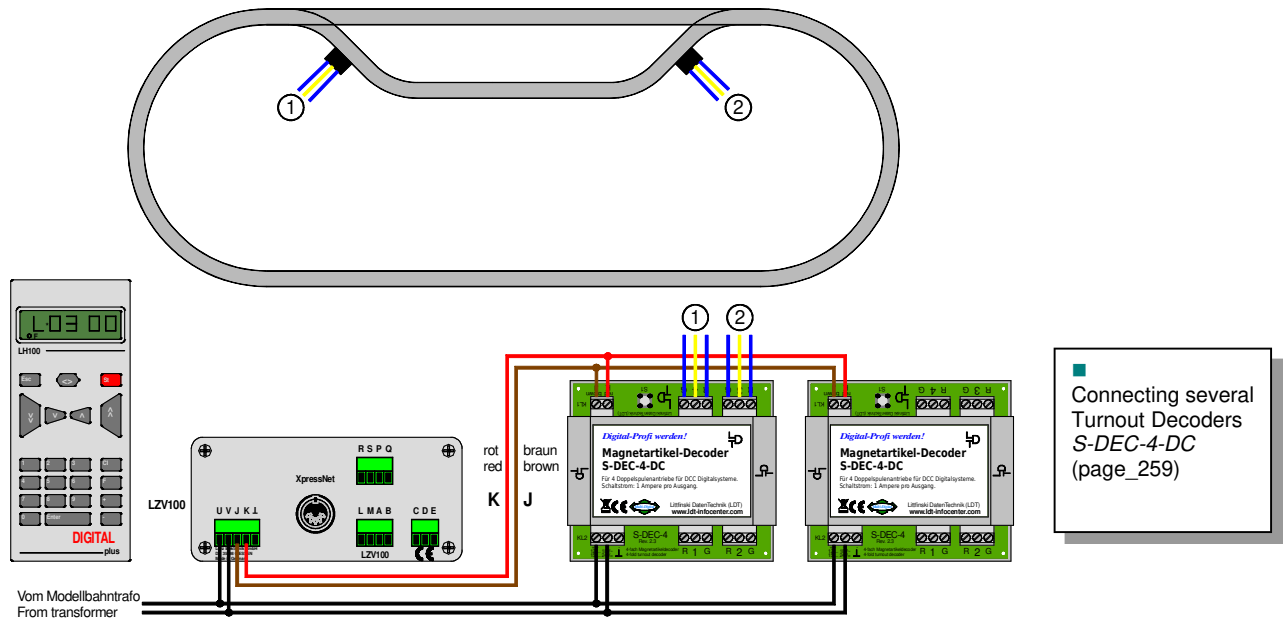
By connecting the supply voltage of 12 – 18 Volt ~ please pay careful attention that you use the two inputs of the clamp KL2 which are marked with “~”. One of the two terminals of the supply voltage should never be connected to the ground output “⊥” of the 3 poles clamp KL2. In this case the decoder will be destroyed as shown within the following connection sample.



The turnouts or signals have to be connected with three cables (**blue** / **yellow** / **blue**), which can be of a preferable short length, by a considerable close distance of the decoder to the respective turnout or signal. The common conductor of the turnout- or signal-drive (**yellow**) shall be connected to the middle contact of the decoder module marked by a digit. The clamps marked with “G” and “R” are supposed for the coil drives and are indicating the turnout position to be switched (G for straight and R for round).



The next sample shows the connection of two of four possible turnouts and the connection of a further decoder module for additional four turnouts.

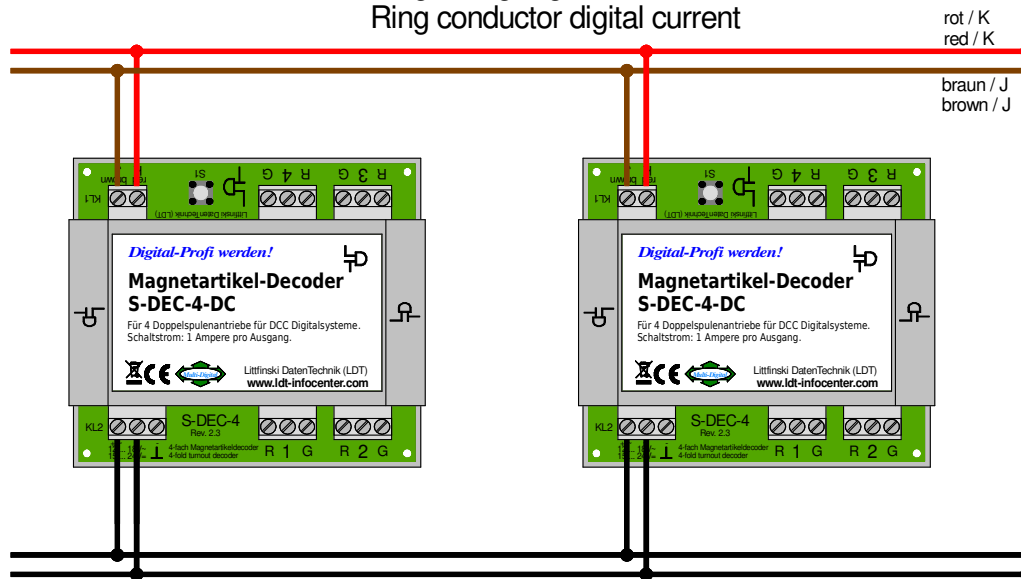


It is recommended to install a separate second main ring conductor for the digital current to the turnout- and switch decoders (**(K)red** / **(J)brown**) and a third main ring conductor for the voltage supply (**black**).

The digital information for the accessory decoders should never be taken directly from the rails. The driving locomotives can influence the digital signal by producing continually a kind of loose contact signal. This can result to the problem that the decoder cannot understand the signal. For this reason will be the loc commands continually repeated.

Especially for the switch commands which will not be transmitted several times as done by the loc commands is it possible that commands will be getting lost if the digital information have been taken directly from the rails.

Ringleitung Digitalstrom  
 Ring conductor digital current



Ringleitung Versorgung  
 Ring conductor supply

2. and 3. Main Ring Conductor for accessory Decoders (page\_260)

There are as well some recommendations for the wire cross-section dimension of the two main ring conductor wires. As there will be a low current flow only the wire dimension can be a little smaller.

length of the cable	recommended cross section
up to 10 m	0.75 mm <sup>2</sup>
more as 10 m	1.0 – 1.5 mm <sup>2</sup>

At least after completion of the wiring installation you should start the first test and the placing of suitable a digital address for the turnout (or signal).

**THE FIRST PROGRAMMING**

The assignment of digital addresses has to be carried out individually for each module. The address is valid for the respective complete group of four (e.g. 1 - 4, 5 - 8, 9 - 12 etc.). For setting the address (= read-in address) you have to connect a turnout to the output 1 at the module.

The turnout will start switching at a 1.5 second interval after activating the programming key at the decoder. The decoder module is now in a learning mode. Now is it required to select and activate a turnout (1 – 4, 5 – 8, etc.) at the central unit. The decoder module takes over the four addresses for the four outputs and confirms the setting by switching the connected turnout for a short period a little faster. Depressing again the programming key at the decoder will complete the setting of addresses. The addresses are now permanently stored at the decoder.

Our tip: Carry out the set-up of digital addresses before installing the decoder module below the layout because the handling of the module with all connections is much easier at a working bench. After address setting please mark the module with the assigned digital addresses (e.g. label marked with a pencil “5 – 8” for the second group of four addresses).

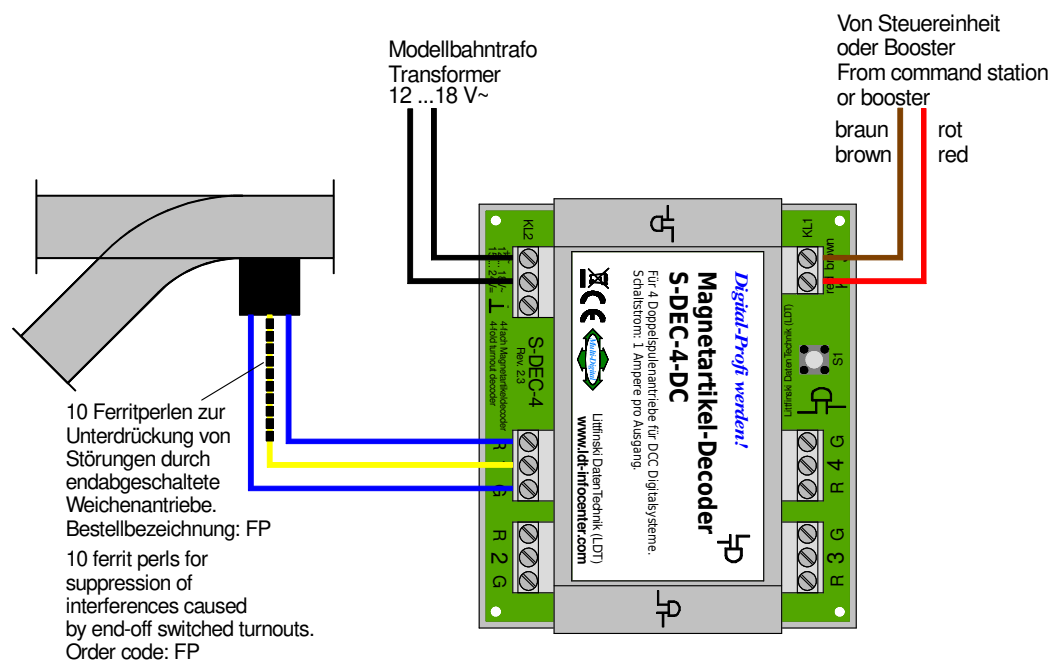
■ General Note

With this procedure the functional test has been already performed and a later malfunction after installation (e.g. defect module) can be prevented. After final installation of the unit this would be a difficult time consuming procedure.

### SUPPRESSION OF INTERFERENCES

End-off switched coil drives of turnouts can initiate interferences and therefore influencing the digital system e.g. with unreliable switching of turnouts. This problem can be solved by slipping 10 ferrite pearls onto the common connection wire (yellow) of the turnout drives. This has to be done very close to the coil housing.

■ Technical Tip



■ Ferrite Pearls for the suppression of interferences by Coil Drives (page\_239)

The ferrite pearls are available by LDT under the order code “FP”. The connections and the operation of the turnouts as well as the programming the decoder will not be influenced.

